



Product Service

CERTIFICATE

No. B 115306 0001 Rev. 00

Holder of Certificate: Dong Guan City Jiankun Electronics Technology Co., Ltd.

No.212, Fuhua street, Houdao Road
Santun Village, Houjie Town
523941 Dongguan City, Guangdong
PEOPLE'S REPUBLIC OF CHINA

Certification Mark:




Product: Surge absorber (Varistor)

The product was tested on a voluntary basis and complies with the essential requirements. The certification mark shown above can be affixed on the product. It is not permitted to alter the certification mark in any way. In addition, the certification holder must not transfer the certificate to third parties. This certificate is valid until the listed date, unless it is cancelled earlier. All applicable requirements of the testing and certification regulations of TÜV SÜD Group have to be complied. For details see: www.tuvsud.com/ps-cert

Test report no.: 6810021002201A

Valid until: 2026-11-18

Date, 2022-01-11


(Michael Xu)

CERTIFICATE

No. B 115306 0001 Rev. 00

Model(s): **7SyyyK**

Parameters:

Description the rule of the nomenclature:

7S yyy K

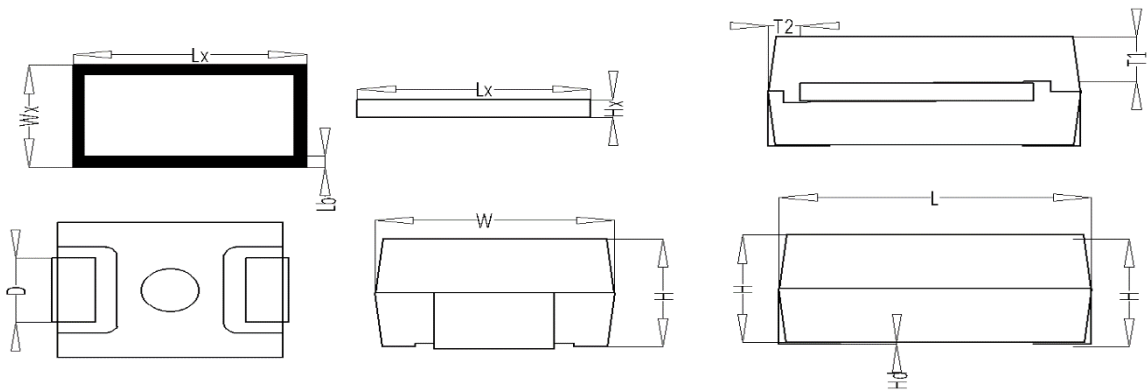
I II III

I – sample dimension;

II – Nominal varistor voltage: yyy can be 201, 221, 241, 271, 301, 331, 361, 391, 431, 471, 511, 561, 621, 681. For example, 201 stands for $20 \times 100 = 200V$.

III – Optional, Tolerance of Nominal varistor voltage: $\pm 10\%$

Dimensions



Cat. No.	L(mm)		W(mm)		H(mm)		D(mm)		Hd(mm)	
	Max.	Min.	Max.	Min.	Max.	Min.	Max.	Min.	Max.	Min.
7SyyyK	8.60	7.60	6.60	6.00	4.60	3.00	3.50	2.50	0.30	0.10

CERTIFICATE

No. B 115306 0001 Rev. 00

Table 1: Electrical Rating and characteristics

Insulation voltage:		AC2500V							
Maximum continuous voltage:		Details see below							
Leakage current:		Details see below							
Nominal varistor voltage:		Details see below							
Reference current:		1mA							
Clamping Voltage:		Details see below							
Class current (8/20 μ s):		Details see below							
Maximum peak current (8/20 μ s, 1time):		Details see below							
Climatic category:		40/125/21							
Flame class:		V-0							
Type	Maximum continuous voltage(V)		Leakage Current (uA) (Max.)	Nominal varistor voltage (V)	Clamping Voltage (Max. V)	Class current (Max. A)	Maximum Peak Current (A)	Energy (10/1000 μ s) (Max.)	Capacitance (Typical) pF
	AC	DC	I_L	V_N	V_C	8/20 μ s I_C	8/20 μ s (1time)	J	C
7S201K	130	170	20	200	340	10	1750	17	250
7S221K	140	180	20	220	360	10	1750	20	230
7S241K	150	200	20	240	395	10	1750	21	210
7S271K	175	225	20	270	455	10	1750	24	185
7S301K	190	250	20	300	500	10	1750	26	165
7S331K	210	275	20	330	550	10	1750	28	150
7S361K	230	300	20	360	595	10	1750	32	140
7S391K	250	320	20	390	650	10	1750	35	130
7S431K	275	350	20	430	710	10	1750	40	115
7S471K	300	385	20	470	775	10	1750	42	105
7S511K	320	415	20	510	845	10	1750	45	100
7S561K	350	460	20	560	925	10	1750	50	90
7S621K	385	505	20	620	1025	10	1750	55	80
7S681K	420	560	20	680	1120	10	1750	60	75

Tested according to: EN IEC 61051-1:2018
IEC 61051-2:1991/AMD1:2009
IEC 61051-2-2:1991



CERTIFICATE OF PRODUCT CERTIFICATION

CERTIFICATE NO.: CQC22001336555

Valid from: Mar.29,2022

Valid until:long-term

NAME AND REGISTERED ADDRESS OF THE APPLICANT Dong Guan City Jiankun Electronics Technology Co. Ltd
No.212,Fuhua street, Houdao Road, Santun Village, Houjie Town, Dongguan City,
523941Guangdong ,CHINA

NAME AND REGISTERED ADDRESS OF THE MANUFACTURER Dong Guan City Jiankun Electronics Technology Co. Ltd
No.212,Fuhua street, Houdao Road, Santun Village, Houjie Town, Dongguan City,
523941Guangdong ,CHINA

NAME AND LOCATION OF THE FACTORY Huizhou Jingqin Electronic Components Co.LTD
1st Floor,1Building Haojun,Zone1,DaXin Group,Shuguang Road,Chenjiang Street,Zhongkai
High-tech Zone,Huizhou city

PRODUCT NAME, MODEL AND SPECIFICATION SMD Varistors
7S (201~681) @系列压敏电压范围为 200V~680V : 最大连续交流电压 : 130VAC~420VAC ; @为空白或者字母 K : 表示压敏电压的允许偏差 K : ±10% : 气候类别为 40/125/21。具体型号规格详见附件

THE STANDARDS AND TECHNICAL REQUIREMENTS FOR THE PRODUCTS GB/T 10193-1997;GB/T 10194-1997

TYPE OF CERTIFICATION SCHEMES Type Testing of Product + Follow up Factory Inspection

This is to certify that the above mentioned product(s) complies with the requirements of certification rules of CQC11-471551-2015.
The validity of the certificate is subject to positive result of the regular follow up inspection by issuing certification body.

The certificate information is available through the QR code below or CNCA's website: www.cnca.gov.cn



SIGNATURE:

谢肇煦

CHINA QUALITY CERTIFICATION CENTRE





CERTIFICATE OF PRODUCT CERTIFICATION

CERTIFICATE NO. : CQC22001336555

page 1 of 1

paper:

This certificate and attachments shall be used at the same time, and the verification instructions can be found in the main certificate.

型号规格	最大连续交流电压 A-Cr.m.s(V)	最大连续直流电压 DC (V)	压敏电压(V)	脉冲电流(8/20 μ s) 2次	标准
7S201K	130	170	200	1200	GB/T 10193-1997 , GB/T 10194-1997
7S221K	140	180	220	1200	
7S241K	150	200	240	1200	
7S271K	175	225	270	1200	
7S301K	190	250	300	1200	
7S331K	210	275	330	1200	
7S361K	230	300	360	1200	
7S391K	250	320	390	1200	
7S431K	275	350	430	1200	
7S471K	300	385	470	1200	
7S511K	320	415	510	1200	
7S561K	350	460	560	1200	
7S621K	385	505	620	1200	
7S681K	420	560	680	1200	

备注：@ 为空白或者字母 K：表示压敏电压的允许偏差 K:±10%



CHINA QUALITY CERTIFICATION CENTRE

VZCA2.E489693 - Surge-protective Devices - Component

Surge-protective Devices - Component

DONG GUAN CITY JIANKUN ELECTRONICS TECHNOLOGY CO LTD

E489693

No 212 Fuhua St Houdao Rd

Santun Vlg

Houjie Town

Dongguan City, Guangdong 523941 China

Cat. No.	SPD Type	Volts (V)	AC/DC/ DC PV	AC/DC/ PH	AMPS (A)	AMB		MODE	VPR (Vpk)	MLV (Vpk)	MCOV (V)	Vn (Vdc)	In (kA)	SCCR (kA)	Notes
						Min (°C)	Max (°C)								
10D471KJ\$	5	300	AC	1	N/A	-40	85	Ld-Ld	-	1150	300	470	2.5	N/A	1, 5a
10D511KJ\$	5	320	AC	1	N/A	-40	85	Ld-Ld	-	1210	320	510	2.5	N/A	1, 5a
10D561KJ\$	5	350	AC	1	N/A	-40	85	Ld-Ld	-	1310	350	560	2.5	N/A	1,5a
10D621KJ\$	5	385	AC	1	N/A	-40	85	Ld-Ld	-	1420	385	620	2.5	N/A	1, 5a
10D681KJ\$	5	420	AC	1	N/A	-40	85	Ld-Ld	-	1530	420	680	2.5	N/A	1,5a
7S201K	5	130	AC	1	-	-40	130	Ld-Ld	-	510	130	200	0.5	N/A	1,5a
7S221K	5	140	AC	1	-	-40	130	Ld-Ld	-	540	140	220	0.5	N/A	1,5a
7S241K	5	150	AC	1	-	-40	130	Ld-Ld	-	570	150	240	0.5	N/A	1,5a
7S271K	5	175	AC	1	-	-40	130	Ld-Ld	-	650	175	270	0.5	N/A	1,5a
7S331K	5	210	AC	1	-	-40	130	Ld-Ld	-	750	210	330	0.5	N/A	1,5a
7S361K	5	230	AC	1	-	-40	130	Ld-Ld	-	810	230	360	0.5	N/A	1,5a
7S391K	5	250	AC	1	-	-40	130	Ld-Ld	-	870	250	390	0.5	N/A	1,5a
7S431K	5	275	AC	1	-	-40	130	Ld-Ld	-	940	275	430	0.5	N/A	1,5a
7S471K	5	300	AC	1	-	-40	130	Ld-Ld	-	1010	300	470	0.5	N/A	1,5a

7S511K	5	320	AC	1	-	-40	130	Ld-Ld	-	1070	320	510	0.5	N/A	1,5a
7S561K	5	350	AC	1	-	-40	130	Ld-Ld	-	1150	350	560	0.5	N/A	1,5a
7S621K	5	385	AC	1	-	-40	130	Ld-Ld	-	1250	385	620	0.5	N/A	1,5a
7S681K	5	420	AC	1	-	-40	130	Ld-Ld	-	1350	420	680	0.5	N/A	1,5a
9S201K	5	130	AC	1	-	-40	130	Ld-Ld	-	600	130	200	2	N/A	1,5a
9S221K	5	140	AC	1	-	-40	130	Ld-Ld	-	640	140	220	2	N/A	1,5a
9S241K	5	150	AC	1	-	-40	130	Ld-Ld	-	680	150	240	2	N/A	1,5a
9S271K	5	175	AC	1	-	-40	130	Ld-Ld	-	780	175	270	2	N/A	1,5a
9S301K	5	190	AC	1	-	-40	130	Ld-Ld	-	840	190	300	2	N/A	1,5a
9S331K	5	210	AC	1	-	-40	130	Ld-Ld	-	920	210	330	2	N/A	1,5a
9S361K	5	230	AC	1	-	-40	130	Ld-Ld	-	1000	230	360	2	N/A	1,5a
9S391K	5	250	AC	1	-	-40	130	Ld-Ld	-	1080	250	390	2	N/A	1,5a
9S431K	5	275	AC	1	-	-40	130	Ld-Ld	-	1180	275	430	2	N/A	1,5a
9S471K	5	300	AC	1	-	-40	130	Ld-Ld	-	1270	300	470	2	N/A	1,5a
9S511K	5	320	AC	1	-	-40	130	Ld-Ld	-	1340	320	510	2	N/A	1,5a
9S561K	5	350	AC	1	-	-40	130	Ld-Ld	-	1440	350	560	2	N/A	1,5a
9S621K	5	385	AC	1	-	-40	130	Ld-Ld	-	1560	385	620	2	N/A	1,5a
9S681K	5	420	AC	1	-	-40	130	Ld-Ld	-	1670	420	680	2	N/A	1,5a
"34S"															
34S115	5	115	AC	1	N/A	-40	85	Ld-Ld	-	520	115	180	20	N/A	1, 5a
34S130	5	130	AC	1	N/A	-40	85	Ld-Ld	-	570	130	205	20	N/A	1, 5a
34S140	5	140	AC	1	N/A	-40	85	Ld-Ld	-	610	140	220	20	N/A	1, 5a

34S150	5	150	AC	1	N/A	-40	85	Ld-Ld	-	650	150	240	20	N/A	1, 5a
34S175	5	175	AC	1	N/A	-40	85	Ld-Ld	-	740	175	270	20	N/A	1, 5a
34S210	5	210	AC	1	N/A	-40	85	Ld-Ld	-	870	210	330	20	N/A	1, 5a
34S230	5	230	AC	1	N/A	-40	85	Ld-Ld	-	940	230	360	20	N/A	1, 5a
34S250	5	250	AC	1	N/A	-40	85	Ld-Ld	-	1010	250	390	20	N/A	1, 5a
34S275	5	275	AC	1	N/A	-40	85	Ld-Ld	-	1100	275	430	20	N/A	1, 5a
34S300	5	300	AC	1	N/A	-40	85	Ld-Ld	-	1190	300	470	20	N/A	1, 5a
34S320	5	320	AC	1	N/A	-40	85	Ld-Ld	-	1260	320	510	20	N/A	1, 5a
34S330	5	330	AC	1	N/A	-40	85	Ld-Ld	-	1300	330	520	20	N/A	1, 5a
34S350	5	350	AC	1	N/A	-40	85	Ld-Ld	-	1370	350	560	20	N/A	1, 5a
34S385	5	385	AC	1	N/A	-40	85	Ld-Ld	-	1520	385	620	20	N/A	1, 5a
34S420	5	420	AC	1	N/A	-40	85	Ld-Ld	-	1670	420	680	20	N/A	1, 5a
34S440	5	440	AC	1	N/A	-40	85	Ld-Ld	-	1750	440	715	20	N/A	1, 5a
34S460	5	460	AC	1	N/A	-40	85	Ld-Ld	-	1840	460	750	20	N/A	1, 5a
34S480	5	485	AC	1	N/A	-40	85	Ld-Ld	-	1940	485	780	20	N/A	1, 5a
34S510	5	510	AC	1	N/A	-40	85	Ld-Ld	-	2050	510	820	20	N/A	1, 5a
34S550	5	550	AC	1	N/A	-40	85	Ld-Ld	-	2210	550	910	20	N/A	1, 5a
34S570	5	570	AC	1	N/A	-40	85	Ld-Ld	-	2290	570	930	20	N/A	1, 5a
34S625	5	625	AC	1	N/A	-40	85	Ld-Ld	-	2510	625	1000	20	N/A	1, 5a
34S660	5	660	AC	1	N/A	-40	85	Ld-Ld	-	2640	660	1050	20	N/A	1, 5a
34S680	5	680	AC	1	N/A	-40	85	Ld-Ld	-	2720	680	1100	20	N/A	1, 5a

34S75	5	75	AC	1	N/A	-40	85	Ld-Ld	-	360	75	120	20	N/A	1, 5a
34S750	5	750	AC	1	N/A	-40	85	Ld-Ld	-	3000	750	1200	20	N/A	1, 5a
34S95	5	95	AC	1	N/A	-40	85	Ld-Ld	-	440	95	150	20	N/A	1, 5a
"32D"															
32D102K	5	625	AC	1	n/a	-40	85	Ld-Ld	-	3140	625	1000	10	n/a	1, 5a
32D112K	5	680	AC	1	n/a	-40	85	Ld-Ld	-	3400	680	1100	10	n/a	1, 5a
32D152K	5	900	AC	1	n/a	-40	85	Ld-Ld	-	3660	900	1500	10	n/a	1, 5a
32D182K	5	1000	AC	1	n/a	-40	85	Ld-Ld	-	3930	1000	1800	10	n/a	1, 5a
32D201K	5	130	AC	1	n/a	-40	85	Ld-Ld	-	560	130	210	10	n/a	1, 5a
32D221K	5	140	AC	1	n/a	-40	85	Ld-Ld	-	630	140	220	10	n/a	1, 5a
32D241K	5	150	AC	1	n/a	-40	85	Ld-Ld	-	700	150	240	10	n/a	1, 5a
32D271K	5	175	AC	1	n/a	-40	85	Ld-Ld	-	770	175	270	10	n/a	1, 5a
32D301K	5	190	AC	1	n/a	-40	85	Ld-Ld	-	840	190	300	10	n/a	1, 5a
32D331K	5	210	AC	1	n/a	-40	85	Ld-Ld	-	910	210	330	10	n/a	1, 5a
32D361K	5	230	AC	1	n/a	-40	85	Ld-Ld	-	985	230	360	10	n/a	1, 5a
32D391K	5	250	AC	1	n/a	-40	85	Ld-Ld	-	1060	250	390	10	n/a	1, 5a
32D431K	5	275	AC	1	n/a	-40	85	Ld-Ld	-	1135	275	430	10	n/a	1, 5a
32D471K	5	300	AC	1	n/a	-40	85	Ld-Ld	-	1120	300	470	10	n/a	1, 5a
32D511K	5	320	AC	1	n/a	-40	85	Ld-Ld	-	1340	320	510	10	n/a	1, 5a
32D561K	5	350	AC	1	n/a	-40	85	Ld-Ld	-	1560	350	553	10	n/a	1, 5a
32D621K	5	385	AC	1	n/a	-40	85	Ld-Ld	-	1780	385	620	10	n/a	1, 5a
32D681K	5	420	AC	1	n/a	-40	85	Ld-Ld	-	2000	420	666	10	n/a	1, 5a

32D751K	5	460	AC	1	n/a	-40	85	Ld-Ld	-	2220	460	750	10	n/a	1, 5a
32D781K	5	485	AC	1	n/a	-40	85	Ld-Ld	-	2440	485	780	10	n/a	1, 5a
32D821K	5	510	AC	1	n/a	-40	85	Ld-Ld	-	2660	510	820	10	n/a	1, 5a
32D911K	5	550	AC	1	n/a	-40	85	Ld-Ld	-	2885	550	916	10	n/a	1, 5a
"25D"															
25D201K	5	130	AC	1	n/a	-40	85	Ld-Ld	-	480	130	200	10	n/a	1, 5a
25D221K	5	140	AC	1	n/a	-40	85	Ld-Ld	-	535	140	220	10	n/a	1, 5a
25D241K	5	150	AC	1	n/a	-40	85	Ld-Ld	-	590	150	240	10	n/a	1, 5a
25D271K	5	175	AC	1	n/a	-40	85	Ld-Ld	-	645	175	270	10	n/a	1, 5a
25D301K	5	190	AC	1	n/a	-40	85	Ld-Ld	-	700	190	300	10	n/a	1, 5a
25D331K	5	215	AC	1	n/a	-40	85	Ld-Ld	-	755	215	330	10	n/a	1, 5a
25D361K	5	230	AC	1	n/a	-40	85	Ld-Ld	-	815	230	360	10	n/a	1, 5a
25D391K	5	250	AC	1	n/a	-40	85	Ld-Ld	-	875	250	390	10	n/a	1, 5a
25D431K	5	275	AC	1	n/a	-40	85	Ld-Ld	-	935	275	430	10	n/a	1, 5a
25D471K	5	300	AC	1	n/a	-40	85	Ld-Ld	-	1010	300	470	10	n/a	1, 5a
25D511K	5	320	AC	1	n/a	-40	85	Ld-Ld	-	1115	320	510	10	n/a	1, 5a
25D561K	5	350	AC	1	n/a	-40	85	Ld-Ld	-	1220	350	560	10	n/a	1, 5a
25D621K	5	385	AC	1	n/a	-40	85	Ld-Ld	-	1325	385	620	10	n/a	1, 5a
25D681K	5	420	AC	1	n/a	-40	85	Ld-Ld	-	1430	420	680	10	n/a	1, 5a
25D751K	5	460	AC	1	n/a	-40	85	Ld-Ld	-	1540	460	750	10	n/a	1, 5a
25D781K	5	485	AC	1	n/a	-40	85	Ld-Ld	-	1650	485	780	10	n/a	1, 5a
25D821K	5	510	AC	1	n/a	-40	85	Ld-Ld	-	1760	510	820	10	n/a	1, 5a

25D911K	5	550	AC	1	n/a	-40	85	Ld-Ld	-	1880	550	910	10	n/a	1, 5a
"20D"															
20D101K	5	60	AC	1	n/a	-40	125	Ld-Ld	-	260	60	100	2.5	n/a	1, 5a
20D102K	5	625	AC	1	n/a	-40	125	Ld-Ld	-	2360	625	1000	5	n/a	1, 5a
20D112K	5	680	AC	1	n/a	-40	125	Ld-Ld	-	2560	680	1120	5	n/a	1, 5a
20D121K	5	75	AC	1	n/a	-40	125	Ld-Ld	-	290	75	120	2.5	n/a	1, 5a
20D151K	5	95	AC	1	n/a	-40	125	Ld-Ld	-	340	95	150	2.5	n/a	1, 5a
20D152K	5	900	AC	1	n/a	-40	85	Ld-Ld	-	3050	900	1500	3	n/a	1, 5a
20D180L	5	10	AC	1	n/a	-40	85	Ld-Ld	-	90	11	18	1	n/a	1, 5a
20D181K	5	115	AC	1	n/a	-40	125	Ld-Ld	-	380	115	180	2.5	n/a	1, 5a
20D182K	5	1000	AC	1	n/a	-40	85	Ld-Ld	-	3590	1000	1800	3	n/a	1, 5a
20D201K	5	130	AC	1	n/a	-40	125	Ld-Ld	-	500	130	200	5	n/a	1, 5a
20D220K	5	14	AC	1	n/a	-40	85	Ld-Ld	-	105	14	22	1	n/a	1, 5a
20D221K	5	140	AC	1	n/a	-40	125	Ld-Ld	-	540	140	220	5	n/a	1, 5a
20D241K	5	150	AC	1	n/a	-40	125	Ld-Ld	-	580	150	257	5	n/a	1, 5a
20D270K	5	17	AC	1	n/a	-40	85	Ld-Ld	-	120	17	27	1	n/a	1, 5a
20D271K	5	175	AC	1	n/a	-40	125	Ld-Ld	-	680	175	270	5	n/a	1, 5a
20D301K	5	190	AC	1	n/a	-40	125	Ld-Ld	-	740	190	300	5	n/a	1, 5a
20D330K	5	20	AC	1	n/a	-40	85	Ld-Ld	-	135	20	33	1	n/a	1, 5a
20D331K	5	210	AC	1	n/a	-40	125	Ld-Ld	-	810	210	330	5	n/a	1, 5a
20D361K	5	230	AC	1	n/a	-40	125	Ld-Ld	-	890	230	360	5	n/a	1, 5a
20D390K	5	25	AC	1	n/a	-40	85	Ld-Ld	-	155	25	39	1	n/a	1, 5a

20D391K	5	250	AC	1	n/a	-40	125	Ld-Ld	-	970	250	390	5	n/a	1, 5a
20D431K	5	275	AC	1	n/a	-40	125	Ld-Ld	-	1060	275	430	5	n/a	1, 5a
20D470K	5	30	AC	1	n/a	-40	85	Ld-Ld	-	175	30	47	1	n/a	1, 5a
20D471K	5	300	AC	1	n/a	-40	125	Ld-Ld	-	1160	300	480	5	n/a	1, 5a
20D511K	5	320	AC	1	n/a	-40	125	Ld-Ld	-	1230	320	510	5	n/a	1, 5a
20D560K	5	35	AC	1	n/a	-40	85	Ld-Ld	-	195	35	56	1	n/a	1, 5a
20D561K	5	350	AC	1	n/a	-40	125	Ld-Ld	-	1340	350	573	5	n/a	1, 5a
20D621K	5	385	AC	1	n/a	-40	125	Ld-Ld	-	1470	385	620	5	n/a	1, 5a
20D680K	5	40	AC	1	n/a	-40	85	Ld-Ld	-	210	40	68	1	n/a	1, 5a
20D681K	5	420	AC	1	n/a	-40	125	Ld-Ld	-	1600	420	680	5	n/a	1, 5a
20D751K	5	460	AC	1	n/a	-40	125	Ld-Ld	-	1750	460	750	5	n/a	1, 5a
20D781K	5	485	AC	1	n/a	-40	125	Ld-Ld	-	1840	485	780	5	n/a	1, 5a
20D820K	5	50	AC	1	n/a	-40	125	Ld-Ld	-	240	50	83	2.5	n/a	1, 5a
20D821K	5	510	AC	1	n/a	-40	125	Ld-Ld	-	1930	510	820	5	n/a	1, 5a
20D911K	5	550	AC	1	n/a	-40	125	Ld-Ld	-	2080	550	910	5	n/a	1, 5a
"14D"															
14D101K	5	60	AC	1	n/a	-40	125	Ld-Ld	-	290	60	100	2	n/a	1, 5a
14D102K	5	625	AC	1	n/a	-40	125	Ld-Ld	-	2030	625	1000	3	n/a	1, 5a
14D112K	5	680	AC	1	n/a	-40	125	Ld-Ld	-	2600	680	1100	3	n/a	1, 5a
14D121K	5	75	AC	1	n/a	-40	125	Ld-Ld	-	330	75	120	2	n/a	1, 5a
14D151K	5	95	AC	1	n/a	-40	125	Ld-Ld	-	380	95	150	2	n/a	1, 5a
14D152K	5	900	AC	1	n/a	-40	85	Ld-Ld	-	3270	900	1500	3	n/a	1, 5a

14D180L	5	10	AC	1	n/a	-40	85	Ld-Ld	-	80	11	18	0.5	n/a	1, 5a
14D181K	5	115	AC	1	n/a	-40	125	Ld-Ld	-	430	115	180	2	n/a	1, 5a
14D182K	5	1000	AC	1	n/a	-40	85	Ld-Ld	-	4000	1000	1800	3	n/a	1, 5a
14D201K	5	130	AC	1	n/a	-40	125	Ld-Ld	-	510	130	200	3	n/a	1, 5a
14D220K	5	14	AC	1	n/a	-40	85	Ld-Ld	-	95	14	22	0.5	n/a	1, 5a
14D221K	5	140	AC	1	n/a	-40	125	Ld-Ld	-	550	140	220	3	n/a	1, 5a
14D241K	5	150	AC	1	n/a	-40	125	Ld-Ld	-	590	150	240	3	n/a	1, 5a
14D270K	5	17	AC	1	n/a	-40	85	Ld-Ld	-	110	17	27	0.5	n/a	1, 5a
14D271K	5	175	AC	1	n/a	-40	125	Ld-Ld	-	690	150	240	3	n/a	1,5a
14D301K	5	190	AC	1	n/a	-40	125	Ld-Ld	-	750	190	300	3	n/a	1, 5a
14D330K	5	20	AC	1	n/a	-40	85	Ld-Ld	-	125	20	33	0.5	n/a	1, 5a
14D331K	5	210	AC	1	n/a	-40	125	Ld-Ld	-	820	210	330	3	n/a	1, 5a
14D361K	5	230	AC	1	n/a	-40	125	Ld-Ld	-	900	230	360	3	n/a	1, 5a
14D390K	5	25	AC	1	n/a	-40	85	Ld-Ld	-	140	25	39	0.5	n/a	1, 5a
14D391K	5	250	AC	1	n/a	-40	125	Ld-Ld	-	980	250	390	3	n/a	1, 5a
14D431K	5	275	AC	1	n/a	-40	125	Ld-Ld	-	1090	275	430	3	n/a	1, 5a
14D470K	5	30	AC	1	n/a	-40	85	Ld-Ld	-	155	30	47	0.5	n/a	1, 5a
14D471K	5	300	AC	1	n/a	-40	125	Ld-Ld	-	1200	300	470	3	n/a	1, 5a
14D511K	5	320	AC	1	n/a	-40	125	Ld-Ld	-	1280	320	510	3	n/a	1, 5a
14D560K	5	35	AC	1	n/a	-40	85	Ld-Ld	-	170	35	56	0.5	n/a	1, 5a
14D561K	5	350	AC	1	n/a	-40	125	Ld-Ld	-	1420	350	560	3	n/a	1, 5a

14D621K	5	385	AC	1	n/a	-40	125	Ld-Ld	-	1570	385	620	3	n/a	1, 5a
14D680K	5	40	AC	1	n/a	-40	85	Ld-Ld	-	190	40	68	0.5	n/a	1, 5a
14D681K	5	420	AC	1	n/a	-40	125	Ld-Ld	-	1720	420	680	3	n/a	1, 5a
14D751K	5	460	AC	1	n/a	-40	125	Ld-Ld	-	1780	460	750	3	n/a	1, 5a
14D781K	5	485	AC	1	n/a	-40	125	Ld-Ld	-	1820	485	780	3	n/a	1, 5a
14D820K	5	50	AC	1	n/a	-40	125	Ld-Ld	-	270	50	80	2	n/a	1, 5a
14D821K	5	510	AC	1	n/a	-40	125	Ld-Ld	-	1860	510	820	3	n/a	1, 5a
14D911K	5	550	AC	1	n/a	-40	125	Ld-Ld	-	1920	550	900	3	n/a	1, 5a
"10D"															
10D101K	5	60	AC	1	n/a	-40	125	Ld-Ld	-	280	60	100	1	n/a	1, 5a
10D102K	5	625	AC	1	n/a	-40	125	Ld-Ld	-	2190	625	1000	1.5	n/a	1, 5a
10D112K	5	680	AC	1	n/a	-40	125	Ld-Ld	-	2380	680	1120	1.5	n/a	1, 5a
10D121K	5	75	AC	1	n/a	-40	125	Ld-Ld	-	320	75	120	1	n/a	1, 5a
10D151K	5	95	AC	1	n/a	-40	125	Ld-Ld	-	370	95	150	1	n/a	1, 5a
10D180L	5	10	AC	1	n/a	-40	85	Ld-Ld	-	70	11	18	0.1	n/a	1, 5a
10D181K	5	115	AC	1	n/a	-40	125	Ld-Ld	-	420	115	180	1	n/a	1, 5a
10D201K	5	130	AC	1	n/a	-40	125	Ld-Ld	-	500	130	200	1.5	n/a	1, 5a
10D220K	5	14	AC	1	n/a	-40	85	Ld-Ld	-	85	14	22	0.1	n/a	1, 5a
10D221K	5	140	AC	1	n/a	-40	125	Ld-Ld	-	530	140	220	1.5	n/a	1, 5a
10D241K	5	150	AC	1	n/a	-40	125	Ld-Ld	-	570	150	240	1.5	n/a	1, 5a
10D270K	5	17	AC	1	n/a	-40	85	Ld-Ld	-	100	17	27	0.1	n/a	1, 5a
10D271K	5	175	AC	1	n/a	-40	125	Ld-Ld	-	650	175	270	1.5	n/a	1, 5a

10D301K	5	190	AC	1	n/a	-40	125	Ld-Ld	-	710	190	300	1.5	n/a	1, 5a
10D330K	5	20	AC	1	n/a	-40	85	Ld-Ld	-	115	20	33	0.1	n/a	1, 5a
10D331K	5	210	AC	1	n/a	-40	125	Ld-Ld	-	770	210	330	1.5	n/a	1, 5a
10D361K	5	230	AC	1	n/a	-40	125	Ld-Ld	-	840	230	360	1.5	n/a	1, 5a
10D390K	5	25	AC	1	n/a	-40	85	Ld-Ld	-	135	25	39	0.1	n/a	1, 5a
10D391K	5	250	AC	1	n/a	-40	125	Ld-Ld	-	910	250	390	1.5	n/a	1, 5a
10D431K	5	275	AC	1	n/a	-40	125	Ld-Ld	-	990	275	430	1.5	n/a	1, 5a
10D470K	5	30	AC	1	n/a	-40	85	Ld-Ld	-	155	30	47	0.1	n/a	1, 5a
10D471K	5	300	AC	1	n/a	-40	125	Ld-Ld	-	1070	300	470	1.5	n/a	1, 5a
10D511K	5	320	AC	1	n/a	-40	125	Ld-Ld	-	1140	320	510	1.5	n/a	1, 5a
10D560K	5	35	AC	1	n/a	-40	85	Ld-Ld	-	175	35	56	0.1	n/a	1, 5a
10D561K	5	350	AC	1	n/a	-40	125	Ld-Ld	-	1230	350	580	1.5	n/a	1, 5a
10D621K	5	385	AC	1	n/a	-40	125	Ld-Ld	-	1350	385	620	1.5	n/a	1, 5a
10D680K	5	40	AC	1	n/a	-40	85	Ld-Ld	-	190	40	68	0.1	n/a	1, 5a
10D681K	5	420	AC	1	n/a	-40	125	Ld-Ld	-	1460	420	650	1.5	n/a	1, 5a
10D751K	5	460	AC	1	n/a	-40	125	Ld-Ld	-	1600	460	750	1.5	n/a	1, 5a
10D781K	5	485	AC	1	n/a	-40	125	Ld-Ld	-	1690	485	780	1.5	n/a	1, 5a
10D820K	5	50	AC	1	n/a	-40	125	Ld-Ld	-	250	50	80	1	n/a	1, 5a
10D821K	5	510	AC	1	n/a	-40	125	Ld-Ld	-	1780	510	820	1.5	n/a	1, 5a
10D911K	5	550	AC	1	n/a	-40	125	Ld-Ld	-	1920	550	910	1.5	n/a	1, 5a
"07D"															
07D101K	5	60	AC	1	n/a	-40	125	Ld-Ld	-	240	60	100	0.25	n/a	1, 5a

07D121K	5	75	AC	1	n/a	-40	125	Ld-Ld	-	290	75	120	0.25	n/a	1, 5a
07D151K	5	95	AC	1	n/a	-40	125	Ld-Ld	-	360	95	150	0.25	n/a	1, 5a
07D180L	5	10	AC	1	n/a	-40	85	Ld-Ld	-	60	11	18	0.1	n/a	1, 5a
07D181K	5	115	AC	1	n/a	-40	125	Ld-Ld	-	430	115	180	0.25	n/a	1, 5a
07D201K	5	130	AC	1	n/a	-40	125	Ld-Ld	-	480	130	200	0.5	n/a	1, 5a
07D220K	5	14	AC	1	n/a	-40	85	Ld-Ld	-	80	14	22	0.1	n/a	1, 5a
07D221K	5	140	AC	1	n/a	-40	125	Ld-Ld	-	510	140	220	0.5	n/a	1, 5a
07D241K	5	150	AC	1	n/a	-40	125	Ld-Ld	-	550	150	240	0.5	n/a	1, 5a
07D270K	5	17	AC	1	n/a	-40	85	Ld-Ld	-	100	17	27	0.1	n/a	1, 5a
07D271K	5	175	AC	1	n/a	-40	125	Ld-Ld	-	630	175	270	0.5	n/a	1, 5a
07D301K	5	190	AC	1	n/a	-40	125	Ld-Ld	-	690	190	300	0.5	n/a	1, 5a
07D330K	5	20	AC	1	n/a	-40	85	Ld-Ld	-	120	20	33	0.1	n/a	1, 5a
07D331K	5	210	AC	1	n/a	-40	125	Ld-Ld	-	750	210	330	0.5	n/a	1, 5a
07D361K	5	230	AC	1	n/a	-40	125	Ld-Ld	-	820	230	360	0.5	n/a	1, 5a
07D390K	5	25	AC	1	n/a	-40	85	Ld-Ld	-	140	25	39	0.1	n/a	1, 5a
07D391K	5	250	AC	1	n/a	-40	125	Ld-Ld	-	890	250	390	0.5	n/a	1, 5a
07D431K	5	275	AC	1	n/a	-40	125	Ld-Ld	-	960	275	430	0.5	n/a	1, 5a
07D470K	5	30	AC	1	n/a	-40	85	Ld-Ld	-	160	30	47	0.1	n/a	1, 5a
07D471K	5	300	AC	1	n/a	-40	125	Ld-Ld	-	1030	300	470	0.5	n/a	1, 5a
07D511K	5	320	AC	1	n/a	-40	125	Ld-Ld	-	1090	320	510	0.5	n/a	1, 5a
07D560K	5	35	AC	1	n/a	-40	85	Ld-Ld	-	180	35	56	0.1	n/a	1, 5a


07D561K	5	350	AC	1	n/a	-40	125	Ld-Ld	-	1170	350	560	0.5	n/a	1, 5a
07D621K	5	385	AC	1	n/a	-40	125	Ld-Ld	-	1270	385	620	0.5	n/a	1, 5a
07D680K	5	40	AC	1	n/a	-40	85	Ld-Ld	-	190	40	68	0.1	n/a	1, 5a
07D681K	5	420	AC	1	n/a	-40	125	Ld-Ld	-	1370	420	680	0.5	n/a	1, 5a
07D751K	5	460	AC	1	n/a	-40	85	Ld-Ld	-	1540	460	750	0.5	n/a	1, 5a
07D781K	5	485	AC	1	n/a	-40	85	Ld-Ld	-	1650	485	780	0.5	n/a	1, 5a
07D820K	5	50	AC	1	n/a	-40	125	Ld-Ld	-	210	50	80	0.25	n/a	1, 5a
07D821K	5	510	AC	1	n/a	-40	85	Ld-Ld	-	1780	510	820	0.5	n/a	1, 5a
"05D"															
05D101K	5	60	AC	1	n/a	-40	85	Ld-Ld	-	225	60	100	0.1	n/a	1, 5a
05D121K	5	75	AC	1	n/a	-40	85	Ld-Ld	-	270	75	120	0.1	n/a	1, 5a
05D151K	5	95	AC	1	n/a	-40	85	Ld-Ld	-	315	95	150	0.1	n/a	1, 5a
05D180L	5	10	AC	1	n/a	-40	85	Ld-Ld	-	60	11	18	0.05	n/a	1, 5a
05D181K	5	115	AC	1	n/a	-40	85	Ld-Ld	-	360	115	180	0.1	n/a	1, 5a
05D201K	5	130	AC	1	n/a	-40	85	Ld-Ld	-	400	130	200	0.15	n/a	1, 5a
05D220K	5	14	AC	1	n/a	-40	85	Ld-Ld	-	80	14	22	0.05	n/a	1, 5a
05D221K	5	140	AC	1	n/a	-40	85	Ld-Ld	-	455	140	220	0.15	n/a	1, 5a
05D241K	5	150	AC	1	n/a	-40	85	Ld-Ld	-	510	150	240	0.15	n/a	1, 5a
05D270K	5	17	AC	1	n/a	-40	85	Ld-Ld	-	100	17	27	0.05	n/a	1, 5a
05D271K	5	175	AC	1	n/a	-40	85	Ld-Ld	-	565	175	270	0.15	n/a	1, 5a
05D301K	5	190	AC	1	n/a	-40	85	Ld-Ld	-	620	190	300	0.15	n/a	1, 5a
05D330K	5	20	AC	1	n/a	-40	85	Ld-Ld	-	120	20	33	0.05	n/a	1, 5a

05D331K	5	210	AC	1	n/a	-40	85	Ld-Ld	-	675	210	330	0.15	n/a	1, 5a
05D361K	5	230	AC	1	n/a	-40	85	Ld-Ld	-	730	230	360	0.15	n/a	1, 5a
05D390K	5	25	AC	1	n/a	-40	85	Ld-Ld	-	140	25	39	0.05	n/a	1, 5a
05D391K	5	250	AC	1	n/a	-40	85	Ld-Ld	-	785	250	390	0.15	n/a	1, 5a
05D431K	5	275	AC	1	n/a	-40	85	Ld-Ld	-	840	275	430	0.15	n/a	1, 5a
05D470K	5	30	AC	1	n/a	-40	85	Ld-Ld	-	160	30	47	0.05	n/a	1, 5a
05D471K	5	300	AC	1	n/a	-40	85	Ld-Ld	-	930	300	470	0.15	n/a	1, 5a
05D511K	5	320	AC	1	n/a	-40	85	Ld-Ld	-	1040	320	510	0.15	n/a	1, 5a
05D560K	5	35	AC	1	n/a	-40	85	Ld-Ld	-	180	35	56	0.05	n/a	1, 5a
05D561K	5	350	AC	1	n/a	-40	85	Ld-Ld	-	1150	350	560	0.15	n/a	1, 5a
05D621K	5	385	AC	1	n/a	-40	85	Ld-Ld	-	1260	385	620	0.15	n/a	1, 5a
05D680K	5	40	AC	1	n/a	-40	85	Ld-Ld	-	200	40	68	0.01	n/a	1,5a
05D681K	5	420	AC	1	n/a	-40	85	Ld-Ld	-	1370	420	680	0.15	n/a	1, 5a
05D820K	5	50	AC	1	n/a	-40	85	Ld-Ld	-	180	50	82	0.1	n/a	1, 5a

Notes:

1. Suitable for Factory wiring only.
2. Suitable for Field and Factory wiring.
3. Series External Impedance required, see Electrical Ratings in the Recognition report.
4. Series External Overcurrent Protection required, see Electrical Ratings in the Recognition report.
5. Body of discrete component metal-oxide varistors (MOVs) flammability:
 - a) Min. V-0 or VTM-0.
 - b) Min. V-1 or VTM-1.
 - c) Complies with IEC 60950-1, Edition 2.2, Annex Q/IEC62368-1 Annex G.8.2 needle flame testing requirements.
 - d) Complies with IEC 60065, Edition 7.2, Annex G.1.1 needle flame testing requirements.

\$ - May be followed by one to three any numbers and/or letters

Marking: Company name or tradename "JK-ET" and model designation and the Recognized Component Mark, 

The appearance of a company's name or product in this database does not in itself assure that products so identified have been manufactured under UL's Follow-Up Service. Only those products bearing the UL Mark should be considered to be Certified and covered under UL's Follow-Up Service. Always look for the Mark on the product.

UL permits the reproduction of the material contained in the Online Certification Directory subject to the following conditions: 1. The Guide Information, Assemblies, Constructions, Designs, Systems, and/or Certifications (files) must be presented in their entirety and in a non-misleading manner, without any manipulation of the data (or drawings). 2. The statement "Reprinted from the Online Certifications Directory with permission from UL" must appear adjacent to the extracted material. In addition, the reprinted material must include a copyright notice in the following format: "© 2021 UL LLC"

VZCA8.E489693 - Surge-protective Devices Certified for Canada - Component

Surge-protective Devices Certified for Canada - Component

DONG GUAN CITY JIANKUN ELECTRONICS TECHNOLOGY CO LTD

E489693

No 212 Fuhua St Houdao Rd

Santun Vlg

Houjie Town

Dongguan City, Guangdong 523941 China

Cat. No.	SPD Type	Volts (V)	AC/DC/ DC PV	AMPS PH	AMB		VPR (Vpk)	MLV (Vpk)	MCOV (V)	Vn (Vdc)	In (kA)	SCCR (kA)	Notes	
					Min (°C)	Max (°C)								
Investigated to CSA C22.2 No. 269														
7S201K	5	130	AC	1 -	-40	130	Ld-Ld	-	510	130	200	0.5	N/A	1,5a
7S221K	5	140	AC	1 -	-40	130	Ld-Ld	-	540	140	220	0.5	N/A	1,5a
7S241K	5	150	AC	1 -	-40	130	Ld-Ld	-	570	150	240	0.5	N/A	1,5a
7S271K	5	175	AC	1 -	-40	130	Ld-Ld	-	650	175	270	0.5	N/A	1,5a
7S331K	5	210	AC	1 -	-40	130	Ld-Ld	-	750	210	330	0.5	N/A	1,5a
7S361K	5	230	AC	1 -	-40	130	Ld-Ld	-	810	230	360	0.5	N/A	1,5a
7S391K	5	250	AC	1 -	-40	130	Ld-Ld	-	870	250	390	0.5	N/A	1,5a
7S431K	5	275	AC	1 -	-40	130	Ld-Ld	-	940	275	430	0.5	N/A	1,5a
7S471K	5	300	AC	1 -	-40	130	Ld-Ld	-	1010	300	470	0.5	N/A	1,5a
7S511K	5	320	AC	1 -	-40	130	Ld-Ld	-	1070	320	510	0.5	N/A	1,5a
7S561K	5	350	AC	1 -	-40	130	Ld-Ld	-	1150	350	560	0.5	N/A	1,5a
7S621K	5	385	AC	1 -	-40	130	Ld-Ld	-	1250	385	620	0.5	N/A	1,5a
7S681K	5	420	AC	1 -	-40	130	Ld-Ld	-	1350	420	680	0.5	N/A	1,5a

9S201K	5	130	AC	1	-	-40	130	Ld-Ld	-	600	130	200	2	N/A	1,5a
9S221K	5	140	AC	1	-	-40	130	Ld-Ld	-	640	140	220	2	N/A	1,5a
9S241K	5	150	AC	1	-	-40	130	Ld-Ld	-	680	150	240	2	N/A	1,5a
9S271K	5	175	AC	1	-	-40	130	Ld-Ld	-	780	175	270	2	N/A	1,5a
9S301K	5	190	AC	1	-	-40	130	Ld-Ld	-	840	190	300	2	N/A	1,5a
9S331K	5	210	AC	1	-	-40	130	Ld-Ld	-	920	210	330	2	N/A	1,5a
9S361K	5	230	AC	1	-	-40	130	Ld-Ld	-	1000	230	360	2	N/A	1,5a
9S391K	5	250	AC	1	-	-40	130	Ld-Ld	-	1080	250	390	2	N/A	1,5a
9S431K	5	275	AC	1	-	-40	130	Ld-Ld	-	1180	275	430	2	N/A	1,5a
9S471K	5	300	AC	1	-	-40	130	Ld-Ld	-	1270	300	470	2	N/A	1,5a
9S511K	5	320	AC	1	-	-40	130	Ld-Ld	-	1340	320	510	2	N/A	1,5a
9S561K	5	350	AC	1	-	-40	130	Ld-Ld	-	1440	350	560	2	N/A	1,5a
9S621K	5	385	AC	1	-	-40	130	Ld-Ld	-	1560	385	620	2	N/A	1,5a
9S681K	5	420	AC	1	-	-40	130	Ld-Ld	-	1670	420	680	2	N/A	1,5a
"32D"															
32D102K	5	625	AC	1	n/a	-40	85	Ld-Ld	-	3140	625	1000	10	n/a	1, 5a
32D112K	5	680	AC	1	n/a	-40	85	Ld-Ld	-	3400	680	1100	10	n/a	1, 5a
32D152K	5	900	AC	1	n/a	-40	85	Ld-Ld	-	3660	900	1500	10	n/a	1, 5a
32D182K	5	1000	AC	1	n/a	-40	85	Ld-Ld	-	3930	1000	1800	10	n/a	1, 5a
32D201K	5	130	AC	1	n/a	-40	85	Ld-Ld	-	560	130	210	10	n/a	1, 5a
32D221K	5	140	AC	1	n/a	-40	85	Ld-Ld	-	630	140	220	10	n/a	1, 5a
32D241K	5	150	AC	1	n/a	-40	85	Ld-Ld	-	700	150	240	10	n/a	1, 5a

32D271K	5	175	AC	1	n/a	-40	85	Ld-Ld	-	770	175	270	10	n/a	1, 5a
32D301K	5	190	AC	1	n/a	-40	85	Ld-Ld	-	840	190	300	10	n/a	1, 5a
32D331K	5	210	AC	1	n/a	-40	85	Ld-Ld	-	910	210	330	10	n/a	1, 5a
32D361K	5	230	AC	1	n/a	-40	85	Ld-Ld	-	985	230	360	10	n/a	1, 5a
32D391K	5	250	AC	1	n/a	-40	85	Ld-Ld	-	1060	250	390	10	n/a	1, 5a
32D431K	5	275	AC	1	n/a	-40	85	Ld-Ld	-	1135	275	430	10	n/a	1, 5a
32D471K	5	300	AC	1	n/a	-40	85	Ld-Ld	-	1120	300	470	10	n/a	1, 5a
32D511K	5	320	AC	1	n/a	-40	85	Ld-Ld	-	1340	320	510	10	n/a	1, 5a
32D561K	5	350	AC	1	n/a	-40	85	Ld-Ld	-	1560	350	553	10	n/a	1, 5a
32D621K	5	385	AC	1	n/a	-40	85	Ld-Ld	-	1780	385	620	10	n/a	1, 5a
32D681K	5	420	AC	1	n/a	-40	85	Ld-Ld	-	2000	420	666	10	n/a	1, 5a
32D751K	5	460	AC	1	n/a	-40	85	Ld-Ld	-	2220	460	750	10	n/a	1, 5a
32D781K	5	485	AC	1	n/a	-40	85	Ld-Ld	-	2440	485	780	10	n/a	1, 5a
32D821K	5	510	AC	1	n/a	-40	85	Ld-Ld	-	2660	510	820	10	n/a	1, 5a
32D911K	5	550	AC	1	n/a	-40	85	Ld-Ld	-	2885	550	916	10	n/a	1, 5a
"20D"															
20D101K	5	60	AC	1	n/a	-40	125	Ld-Ld	-	260	60	100	2.5	n/a	1, 5a
20D102K	5	625	AC	1	n/a	-40	125	Ld-Ld	-	2360	625	1000	5	n/a	1, 5a
20D112K	5	680	AC	1	n/a	-40	125	Ld-Ld	-	2560	680	1120	5	n/a	1, 5a
20D121K	5	75	AC	1	n/a	-40	125	Ld-Ld	-	290	75	120	2.5	n/a	1, 5a
20D151K	5	95	AC	1	n/a	-40	125	Ld-Ld	-	340	95	150	2.5	n/a	1, 5a
20D152K	5	900	AC	1	n/a	-40	85	Ld-Ld	-	3050	900	1500	3	n/a	1, 5a

20D180L	5	10	AC	1	n/a	-40	85	Ld-Ld	-	90	11	18	1	n/a	1, 5a
20D181K	5	115	AC	1	n/a	-40	125	Ld-Ld	-	380	115	180	2.5	n/a	1, 5a
20D182K	5	1000	AC	1	n/a	-40	85	Ld-Ld	-	3590	1000	1800	3	n/a	1, 5a
20D201K	5	130	AC	1	n/a	-40	125	Ld-Ld	-	500	130	200	5	n/a	1, 5a
20D220K	5	14	AC	1	n/a	-40	85	Ld-Ld	-	105	14	22	1	n/a	1, 5a
20D221K	5	140	AC	1	n/a	-40	125	Ld-Ld	-	540	140	220	5	n/a	1, 5a
20D241K	5	150	AC	1	n/a	-40	125	Ld-Ld	-	580	150	257	5	n/a	1, 5a
20D270K	5	17	AC	1	n/a	-40	85	Ld-Ld	-	120	17	27	1	n/a	1, 5a
20D271K	5	175	AC	1	n/a	-40	125	Ld-Ld	-	680	175	270	5	n/a	1, 5a
20D301K	5	190	AC	1	n/a	-40	125	Ld-Ld	-	740	190	300	5	n/a	1, 5a
20D330K	5	20	AC	1	n/a	-40	85	Ld-Ld	-	135	20	33	1	n/a	1, 5a
20D331K	5	210	AC	1	n/a	-40	125	Ld-Ld	-	810	210	330	5	n/a	1, 5a
20D361K	5	230	AC	1	n/a	-40	125	Ld-Ld	-	890	230	360	5	n/a	1, 5a
20D390K	5	25	AC	1	n/a	-40	85	Ld-Ld	-	155	25	39	1	n/a	1, 5a
20D391K	5	250	AC	1	n/a	-40	125	Ld-Ld	-	970	250	390	5	n/a	1, 5a
20D431K	5	275	AC	1	n/a	-40	125	Ld-Ld	-	1060	275	430	5	n/a	1, 5a
20D470K	5	30	AC	1	n/a	-40	85	Ld-Ld	-	175	30	47	1	n/a	1, 5a
20D471K	5	300	AC	1	n/a	-40	125	Ld-Ld	-	1160	300	480	5	n/a	1, 5a
20D511K	5	320	AC	1	n/a	-40	125	Ld-Ld	-	1230	320	510	5	n/a	1, 5a
20D560K	5	35	AC	1	n/a	-40	85	Ld-Ld	-	195	35	56	1	n/a	1, 5a
20D561K	5	350	AC	1	n/a	-40	125	Ld-Ld	-	1340	350	573	5	n/a	1, 5a

20D621K	5	385	AC	1	n/a	-40	125	Ld-Ld	-	1470	385	620	5	n/a	1, 5a
20D680K	5	40	AC	1	n/a	-40	85	Ld-Ld	-	210	40	68	1	n/a	1, 5a
20D681K	5	420	AC	1	n/a	-40	125	Ld-Ld	-	1600	420	680	5	n/a	1, 5a
20D751K	5	460	AC	1	n/a	-40	125	Ld-Ld	-	1750	460	750	5	n/a	1, 5a
20D781K	5	485	AC	1	n/a	-40	125	Ld-Ld	-	1840	485	780	5	n/a	1, 5a
20D820K	5	50	AC	1	n/a	-40	125	Ld-Ld	-	240	50	83	2.5	n/a	1, 5a
20D821K	5	510	AC	1	n/a	-40	125	Ld-Ld	-	1930	510	820	5	n/a	1, 5a
20D911K	5	550	AC	1	n/a	-40	125	Ld-Ld	-	2080	550	910	5	n/a	1, 5a
"14D"															
14D101K	5	60	AC	1	n/a	-40	125	Ld-Ld	-	290	60	100	2	n/a	1, 5a
14D102K	5	625	AC	1	n/a	-40	125	Ld-Ld	-	2030	625	1000	3	n/a	1, 5a
14D112K	5	680	AC	1	n/a	-40	125	Ld-Ld	-	2600	680	1100	3	n/a	1, 5a
14D121K	5	75	AC	1	n/a	-40	125	Ld-Ld	-	330	75	120	2	n/a	1, 5a
14D151K	5	95	AC	1	n/a	-40	125	Ld-Ld	-	380	95	150	2	n/a	1, 5a
14D152K	5	900	AC	1	n/a	-40	85	Ld-Ld	-	3270	900	1500	3	n/a	1, 5a
14D180L	5	10	AC	1	n/a	-40	85	Ld-Ld	-	80	11	18	0.5	n/a	1, 5a
14D181K	5	115	AC	1	n/a	-40	125	Ld-Ld	-	430	115	180	2	n/a	1, 5a
14D182K	5	1000	AC	1	n/a	-40	85	Ld-Ld	-	4000	1000	1800	3	n/a	1, 5a
14D201K	5	130	AC	1	n/a	-40	125	Ld-Ld	-	510	130	200	3	n/a	1, 5a
14D220K	5	14	AC	1	n/a	-40	85	Ld-Ld	-	95	14	22	0.5	n/a	1, 5a
14D221K	5	140	AC	1	n/a	-40	125	Ld-Ld	-	550	140	220	3	n/a	1, 5a
14D241K	5	150	AC	1	n/a	-40	125	Ld-Ld	-	590	150	240	3	n/a	1, 5a

14D270K	5	17	AC	1	n/a	-40	85	Ld-Ld	-	110	17	27	0.5	n/a	1, 5a
14D271K	5	175	AC	1	n/a	-40	125	Ld-Ld	-	690	150	240	3	n/a	1,5a
14D301K	5	190	AC	1	n/a	-40	125	Ld-Ld	-	750	190	300	3	n/a	1, 5a
14D330K	5	20	AC	1	n/a	-40	85	Ld-Ld	-	125	20	33	0.5	n/a	1, 5a
14D331K	5	210	AC	1	n/a	-40	125	Ld-Ld	-	820	210	330	3	n/a	1, 5a
14D361K	5	230	AC	1	n/a	-40	125	Ld-Ld	-	900	230	360	3	n/a	1, 5a
14D390K	5	25	AC	1	n/a	-40	85	Ld-Ld	-	140	25	39	0.5	n/a	1, 5a
14D391K	5	250	AC	1	n/a	-40	125	Ld-Ld	-	980	250	390	3	n/a	1, 5a
14D431K	5	275	AC	1	n/a	-40	125	Ld-Ld	-	1090	275	430	3	n/a	1, 5a
14D470K	5	30	AC	1	n/a	-40	85	Ld-Ld	-	155	30	47	0.5	n/a	1, 5a
14D471K	5	300	AC	1	n/a	-40	125	Ld-Ld	-	1200	300	470	3	n/a	1, 5a
14D511K	5	320	AC	1	n/a	-40	125	Ld-Ld	-	1280	320	510	3	n/a	1, 5a
14D560K	5	35	AC	1	n/a	-40	85	Ld-Ld	-	170	35	56	0.5	n/a	1, 5a
14D561K	5	350	AC	1	n/a	-40	125	Ld-Ld	-	1420	350	560	3	n/a	1, 5a
14D621K	5	385	AC	1	n/a	-40	125	Ld-Ld	-	1570	385	620	3	n/a	1, 5a
14D680K	5	40	AC	1	n/a	-40	85	Ld-Ld	-	190	40	68	0.5	n/a	1, 5a
14D681K	5	420	AC	1	n/a	-40	125	Ld-Ld	-	1720	420	680	3	n/a	1, 5a
14D751K	5	460	AC	1	n/a	-40	125	Ld-Ld	-	1780	460	750	3	n/a	1, 5a
14D781K	5	485	AC	1	n/a	-40	125	Ld-Ld	-	1820	485	780	3	n/a	1, 5a
14D820K	5	50	AC	1	n/a	-40	125	Ld-Ld	-	270	50	80	2	n/a	1, 5a
14D821K	5	510	AC	1	n/a	-40	125	Ld-Ld	-	1860	510	820	3	n/a	1, 5a

14D911K	5	550	AC	1	n/a	-40	125	Ld-Ld	-	1920	550	900	3	n/a	1, 5a
"10D"															
10D101K	5	60	AC	1	n/a	-40	125	Ld-Ld	-	280	60	100	1	n/a	1, 5a
10D102K	5	625	AC	1	n/a	-40	125	Ld-Ld	-	2190	625	1000	1.5	n/a	1, 5a
10D112K	5	680	AC	1	n/a	-40	125	Ld-Ld	-	2380	680	1120	1.5	n/a	1, 5a
10D121K	5	75	AC	1	n/a	-40	125	Ld-Ld	-	320	75	120	1	n/a	1, 5a
10D151K	5	95	AC	1	n/a	-40	125	Ld-Ld	-	370	95	150	1	n/a	1, 5a
10D180L	5	10	AC	1	n/a	-40	85	Ld-Ld	-	70	11	18	0.1	n/a	1, 5a
10D181K	5	115	AC	1	n/a	-40	125	Ld-Ld	-	420	115	180	1	n/a	1, 5a
10D201K	5	130	AC	1	n/a	-40	125	Ld-Ld	-	500	130	200	1.5	n/a	1, 5a
10D220K	5	14	AC	1	n/a	-40	85	Ld-Ld	-	85	14	22	0.1	n/a	1, 5a
10D221K	5	140	AC	1	n/a	-40	125	Ld-Ld	-	530	140	220	1.5	n/a	1, 5a
10D241K	5	150	AC	1	n/a	-40	125	Ld-Ld	-	570	150	240	1.5	n/a	1, 5a
10D270K	5	17	AC	1	n/a	-40	85	Ld-Ld	-	100	17	27	0.1	n/a	1, 5a
10D271K	5	175	AC	1	n/a	-40	125	Ld-Ld	-	650	175	270	1.5	n/a	1, 5a
10D301K	5	190	AC	1	n/a	-40	125	Ld-Ld	-	710	190	300	1.5	n/a	1, 5a
10D330K	5	20	AC	1	n/a	-40	85	Ld-Ld	-	115	20	33	0.1	n/a	1, 5a
10D331K	5	210	AC	1	n/a	-40	125	Ld-Ld	-	770	210	330	1.5	n/a	1, 5a
10D361K	5	230	AC	1	n/a	-40	125	Ld-Ld	-	840	230	360	1.5	n/a	1, 5a
10D390K	5	25	AC	1	n/a	-40	85	Ld-Ld	-	135	25	39	0.1	n/a	1, 5a
10D391K	5	250	AC	1	n/a	-40	125	Ld-Ld	-	910	250	390	1.5	n/a	1, 5a
10D431K	5	275	AC	1	n/a	-40	125	Ld-Ld	-	990	275	430	1.5	n/a	1, 5a

10D470K	5	30	AC	1	n/a	-40	85	Ld-Ld	-	155	30	47	0.1	n/a	1, 5a
10D471K	5	300	AC	1	n/a	-40	125	Ld-Ld	-	1070	300	470	1.5	n/a	1, 5a
10D511K	5	320	AC	1	n/a	-40	125	Ld-Ld	-	1140	320	510	1.5	n/a	1, 5a
10D560K	5	35	AC	1	n/a	-40	85	Ld-Ld	-	175	35	56	0.1	n/a	1, 5a
10D561K	5	350	AC	1	n/a	-40	125	Ld-Ld	-	1230	350	580	1.5	n/a	1, 5a
10D621K	5	385	AC	1	n/a	-40	125	Ld-Ld	-	1350	385	620	1.5	n/a	1, 5a
10D680K	5	40	AC	1	n/a	-40	85	Ld-Ld	-	190	40	68	0.1	n/a	1, 5a
10D681K	5	420	AC	1	n/a	-40	125	Ld-Ld	-	1460	420	650	1.5	n/a	1, 5a
10D751K	5	460	AC	1	n/a	-40	125	Ld-Ld	-	1600	460	750	1.5	n/a	1, 5a
10D781K	5	485	AC	1	n/a	-40	125	Ld-Ld	-	1690	485	780	1.5	n/a	1, 5a
10D820K	5	50	AC	1	n/a	-40	125	Ld-Ld	-	250	50	80	1	n/a	1, 5a
10D821K	5	510	AC	1	n/a	-40	125	Ld-Ld	-	1780	510	820	1.5	n/a	1, 5a
10D911K	5	550	AC	1	n/a	-40	125	Ld-Ld	-	1920	550	910	1.5	n/a	1, 5a
"07D"															
07D101K	5	60	AC	1	n/a	-40	125	Ld-Ld	-	240	60	100	0.25	n/a	1, 5a
07D121K	5	75	AC	1	n/a	-40	125	Ld-Ld	-	290	75	120	0.25	n/a	1, 5a
07D151K	5	95	AC	1	n/a	-40	125	Ld-Ld	-	360	95	150	0.25	n/a	1, 5a
07D180L	5	10	AC	1	n/a	-40	85	Ld-Ld	-	60	11	18	0.1	n/a	1, 5a
07D181K	5	115	AC	1	n/a	-40	125	Ld-Ld	-	430	115	180	0.25	n/a	1, 5a
07D201K	5	130	AC	1	n/a	-40	125	Ld-Ld	-	480	130	200	0.5	n/a	1, 5a
07D220K	5	14	AC	1	n/a	-40	85	Ld-Ld	-	80	14	22	0.1	n/a	1, 5a
07D221K	5	140	AC	1	n/a	-40	125	Ld-Ld	-	510	140	220	0.5	n/a	1, 5a

07D241K	5	150	AC	1	n/a	-40	125	Ld-Ld	-	550	150	240	0.5	n/a	1, 5a
07D270K	5	17	AC	1	n/a	-40	85	Ld-Ld	-	100	17	27	0.1	n/a	1, 5a
07D271K	5	175	AC	1	n/a	-40	125	Ld-Ld	-	630	175	270	0.5	n/a	1, 5a
07D301K	5	190	AC	1	n/a	-40	125	Ld-Ld	-	690	190	300	0.5	n/a	1, 5a
07D330K	5	20	AC	1	n/a	-40	85	Ld-Ld	-	120	20	33	0.1	n/a	1, 5a
07D331K	5	210	AC	1	n/a	-40	125	Ld-Ld	-	750	210	330	0.5	n/a	1, 5a
07D361K	5	230	AC	1	n/a	-40	125	Ld-Ld	-	820	230	360	0.5	n/a	1, 5a
07D390K	5	25	AC	1	n/a	-40	85	Ld-Ld	-	140	25	39	0.1	n/a	1, 5a
07D391K	5	250	AC	1	n/a	-40	125	Ld-Ld	-	890	250	390	0.5	n/a	1, 5a
07D431K	5	275	AC	1	n/a	-40	125	Ld-Ld	-	960	275	430	0.5	n/a	1, 5a
07D470K	5	30	AC	1	n/a	-40	85	Ld-Ld	-	160	30	47	0.1	n/a	1, 5a
07D471K	5	300	AC	1	n/a	-40	125	Ld-Ld	-	1030	300	470	0.5	n/a	1, 5a
07D511K	5	320	AC	1	n/a	-40	125	Ld-Ld	-	1090	320	510	0.5	n/a	1, 5a
07D560K	5	35	AC	1	n/a	-40	85	Ld-Ld	-	180	35	56	0.1	n/a	1, 5a
07D561K	5	350	AC	1	n/a	-40	125	Ld-Ld	-	1170	350	560	0.5	n/a	1, 5a
07D621K	5	385	AC	1	n/a	-40	125	Ld-Ld	-	1270	385	620	0.5	n/a	1, 5a
07D680K	5	40	AC	1	n/a	-40	85	Ld-Ld	-	190	40	68	0.1	n/a	1, 5a
07D681K	5	420	AC	1	n/a	-40	125	Ld-Ld	-	1370	420	680	0.5	n/a	1, 5a
07D751K	5	460	AC	1	n/a	-40	85	Ld-Ld	-	1540	460	750	0.5	n/a	1, 5a
07D781K	5	485	AC	1	n/a	-40	85	Ld-Ld	-	1650	485	780	0.5	n/a	1, 5a
07D820K	5	50	AC	1	n/a	-40	125	Ld-Ld	-	210	50	80	0.25	n/a	1, 5a

07D821K	5	510	AC	1	n/a	-40	85	Ld-Ld	-	1780	510	820	0.5	n/a	1, 5a
"05D"															
05D101K	5	60	AC	1	n/a	-40	85	Ld-Ld	-	225	60	100	0.1	n/a	1, 5a
05D121K	5	75	AC	1	n/a	-40	85	Ld-Ld	-	270	75	120	0.1	n/a	1, 5a
05D151K	5	95	AC	1	n/a	-40	85	Ld-Ld	-	315	95	150	0.1	n/a	1, 5a
05D180L	5	10	AC	1	n/a	-40	85	Ld-Ld	-	60	11	18	0.05	n/a	1, 5a
05D181K	5	115	AC	1	n/a	-40	85	Ld-Ld	-	360	115	180	0.1	n/a	1, 5a
05D201K	5	130	AC	1	n/a	-40	85	Ld-Ld	-	400	130	200	0.15	n/a	1, 5a
05D220K	5	14	AC	1	n/a	-40	85	Ld-Ld	-	80	14	22	0.05	n/a	1, 5a
05D221K	5	140	AC	1	n/a	-40	85	Ld-Ld	-	455	140	220	0.15	n/a	1, 5a
05D241K	5	150	AC	1	n/a	-40	85	Ld-Ld	-	510	150	240	0.15	n/a	1, 5a
05D270K	5	17	AC	1	n/a	-40	85	Ld-Ld	-	100	17	27	0.05	n/a	1, 5a
05D271K	5	175	AC	1	n/a	-40	85	Ld-Ld	-	565	175	270	0.15	n/a	1, 5a
05D301K	5	190	AC	1	n/a	-40	85	Ld-Ld	-	620	190	300	0.15	n/a	1, 5a
05D330K	5	20	AC	1	n/a	-40	85	Ld-Ld	-	120	20	33	0.05	n/a	1, 5a
05D331K	5	210	AC	1	n/a	-40	85	Ld-Ld	-	675	210	330	0.15	n/a	1, 5a
05D361K	5	230	AC	1	n/a	-40	85	Ld-Ld	-	730	230	360	0.15	n/a	1, 5a
05D390K	5	25	AC	1	n/a	-40	85	Ld-Ld	-	140	25	39	0.05	n/a	1, 5a
05D391K	5	250	AC	1	n/a	-40	85	Ld-Ld	-	785	250	390	0.15	n/a	1, 5a
05D431K	5	275	AC	1	n/a	-40	85	Ld-Ld	-	840	275	430	0.15	n/a	1, 5a
05D470K	5	30	AC	1	n/a	-40	85	Ld-Ld	-	160	30	47	0.05	n/a	1, 5a
05D471K	5	300	AC	1	n/a	-40	85	Ld-Ld	-	930	300	470	0.15	n/a	1, 5a

05D511K	5	320	AC	1	n/a	-40	85	Ld-Ld	-	1040	320	510	0.15	n/a	1, 5a
05D560K	5	35	AC	1	n/a	-40	85	Ld-Ld	-	180	35	56	0.05	n/a	1, 5a
05D561K	5	350	AC	1	n/a	-40	85	Ld-Ld	-	1150	350	560	0.15	n/a	1, 5a
05D621K	5	385	AC	1	n/a	-40	85	Ld-Ld	-	1260	385	620	0.15	n/a	1, 5a
05D680K	5	40	AC	1	n/a	-40	85	Ld-Ld	-	200	40	68	0.01	n/a	1,5a
05D681K	5	420	AC	1	n/a	-40	85	Ld-Ld	-	1370	420	680	0.15	n/a	1, 5a
05D820K	5	50	AC	1	n/a	-40	85	Ld-Ld	-	180	50	82	0.1	n/a	1, 5a
10D471KJ\$	5	300	AC	1	N/A	-40	85	Ld-Ld	-	1150	300	470	2.5	N/A	1, 5a
10D511KJ\$	5	320	AC	1	N/A	-40	85	Ld-Ld	-	1210	320	510	2.5	N/A	1, 5a
10D561KJ\$	5	350	AC	1	N/A	-40	85	Ld-Ld	-	1310	350	560	2.5	N/A	1,5a
10D621KJ\$	5	385	AC	1	N/A	-40	85	Ld-Ld	-	1420	385	620	2.5	N/A	1, 5a
10D681KJ\$	5	420	AC	1	N/A	-40	85	Ld-Ld	-	1530	420	680	2.5	N/A	1,5a
"34S"															
34S115	5	115	AC	1	N/A	-40	85	Ld-Ld	-	520	115	180	20	N/A	1, 5a
34S130	5	130	AC	1	N/A	-40	85	Ld-Ld	-	570	130	205	20	N/A	1, 5a
34S140	5	140	AC	1	N/A	-40	85	Ld-Ld	-	610	140	220	20	N/A	1, 5a
34S150	5	150	AC	1	N/A	-40	85	Ld-Ld	-	650	150	240	20	N/A	1, 5a
34S175	5	175	AC	1	N/A	-40	85	Ld-Ld	-	740	175	270	20	N/A	1, 5a
34S210	5	210	AC	1	N/A	-40	85	Ld-Ld	-	870	210	330	20	N/A	1, 5a
34S230	5	230	AC	1	N/A	-40	85	Ld-Ld	-	940	230	360	20	N/A	1, 5a
34S250	5	250	AC	1	N/A	-40	85	Ld-Ld	-	1010	250	390	20	N/A	1, 5a
34S275	5	275	AC	1	N/A	-40	85	Ld-Ld	-	1100	275	430	20	N/A	1, 5a

34S300	5	300	AC	1	N/A	-40	85	Ld-Ld	-	1190	300	470	20	N/A	1, 5a
34S320	5	320	AC	1	N/A	-40	85	Ld-Ld	-	1260	320	510	20	N/A	1, 5a
34S330	5	330	AC	1	N/A	-40	85	Ld-Ld	-	1300	330	520	20	N/A	1, 5a
34S350	5	350	AC	1	N/A	-40	85	Ld-Ld	-	1370	350	560	20	N/A	1, 5a
34S385	5	385	AC	1	N/A	-40	85	Ld-Ld	-	1520	385	620	20	N/A	1, 5a
34S420	5	420	AC	1	N/A	-40	85	Ld-Ld	-	1670	420	680	20	N/A	1, 5a
34S440	5	440	AC	1	N/A	-40	85	Ld-Ld	-	1750	440	715	20	N/A	1, 5a
34S460	5	460	AC	1	N/A	-40	85	Ld-Ld	-	1840	460	750	20	N/A	1, 5a
34S480	5	485	AC	1	N/A	-40	85	Ld-Ld	-	1940	485	780	20	N/A	1, 5a
34S510	5	510	AC	1	N/A	-40	85	Ld-Ld	-	2050	510	820	20	N/A	1, 5a
34S550	5	550	AC	1	N/A	-40	85	Ld-Ld	-	2210	550	910	20	N/A	1, 5a
34S570	5	570	AC	1	N/A	-40	85	Ld-Ld	-	2290	570	930	20	N/A	1, 5a
34S625	5	625	AC	1	N/A	-40	85	Ld-Ld	-	2510	625	1000	20	N/A	1, 5a
34S660	5	660	AC	1	N/A	-40	85	Ld-Ld	-	2640	660	1050	20	N/A	1, 5a
34S680	5	680	AC	1	N/A	-40	85	Ld-Ld	-	2720	680	1100	20	N/A	1, 5a
34S75	5	75	AC	1	N/A	-40	85	Ld-Ld	-	360	75	120	20	N/A	1, 5a
34S750	5	750	AC	1	N/A	-40	85	Ld-Ld	-	3000	750	1200	20	N/A	1, 5a
34S95	5	95	AC	1	N/A	-40	85	Ld-Ld	-	440	95	150	20	N/A	1, 5a

Notes:

1. Suitable for Factory wiring only.
2. Suitable for Field and Factory wiring.
3. Series External Impedance required, see Electrical Ratings in the Recognition report.
4. Series External Overcurrent Protection required, see Electrical Ratings in the Recognition report.
5. Body of discrete component metal-oxide varistors (MOVs) flammability:

- a) Min. V-0 or VTM-0.
 - b) Min. V-1 or VTM-1.
 - c) Complies with IEC 60950-1, Edition 2.2, Annex Q/IEC62368-1 Annex G.8.2 needle flame testing requirements.
 - d) Complies with IEC 60065, Edition 7.2, Annex G.1.1 needle flame testing requirements.
- \$ - May be followed by one to three any numbers and/or letters

Marking: Company name or tradename "JK-ET", model designation and the Recognized Component Mark for Canada,



Last Updated on 2021-12-14

The appearance of a company's name or product in this database does not in itself assure that products so identified have been manufactured under UL's Follow-Up Service. Only those products bearing the UL Mark should be considered to be Certified and covered under UL's Follow-Up Service. Always look for the Mark on the product.

UL permits the reproduction of the material contained in the Online Certification Directory subject to the following conditions: 1. The Guide Information, Assemblies, Constructions, Designs, Systems, and/or Certifications (files) must be presented in their entirety and in a non-misleading manner, without any manipulation of the data (or drawings). 2. The statement "Reprinted from the Online Certifications Directory with permission from UL" must appear adjacent to the extracted material. In addition, the reprinted material must include a copyright notice in the following format: "© 2021 UL LLC"