

## ST-03 SERIES

- Wide operating temperature range of -25 ~ +105°C  
工作温度范围: -25 ~ +105°C
- Standard series for general - purpose  
通用型号的标准品
- Voltage range of 160 ~450V  
工作电压: 160V-450V
- Load life of 3000 hours at 105°C  
使用寿命: 105°C 3000小时



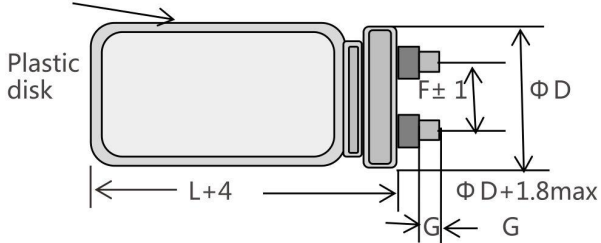
### SPECIFICATIONS 技术参数

Item ( 项目 )	Characteristics ( 特征 )		
Operating Temperature Range ( 使用温度范围 )	-25 ~ +105°C		
Rated Voltage ( 额定电压 )	160 ~450V.DC		
Capacitance Range(容量范围)	1000 ~27000µF		
Temperature Frequency Range ( 温度频率范围 )	-20% ~ +20% (at 20°C, 120Hz)		
Leakage Current ( 漏电流 )	W.V	160 ~450V.DC	
	L.C.	I = 0.01CV or 3(µA) whichever is greater(after 2min)	
		施加额定电压 2分钟测试	
		I = 0.03CV or 4(µA) whichever is greater(after 1min)	
		I = 0.02CV + 15(µA)(after 5 min.) ( 施加额定电压 5分钟测试 )	
where, I: Max Leakage Current (µA); C: Nominal Capacitance (µF), V: Rated Voltage(V) (at 20°C) 注解: I:漏电流µA C:容量(µF), V: 额定电压(V) (在 20°C)			
Dissipation Factor (tanδ) (at 120Hz, +20°C) 损失角正切值	W.V.	160~250	350~450
	tanδ	0.20	0.15
Add 0.02 per 1,000 µF for more than 1,000µF items. 容量超过 1000 µ F ; 每超过 1000 µ F , 损失角增加 0.02			
Low Temp. Impedance Stability at 120Hz ( 温度特性 )	W.V.	160~250	350-450
	Z -25°C /Z +20°C	3	8
	Z 40°C /Z +20°C	4	-
High Temp. Load Test ( 高温负荷特性 )	After 3000 hours, application of DC rated working voltage at + 105°C, the capacitor shall meet the following limits. Capacitance change ... ≤±20% of the initial measured value Tan δ ... ≤ 200% of the initial specified value DC leakage current ... ≤ the initial specified value		
		105°C施加额定电压3000小时后满足下列条件 容量在±20%范围内 损失角在初始规定值200% 漏电流小于或等于规格值	
High Temp. Non - Load Test ( 高温无负荷特性 )	After storage for 1000 hours at 105°C with no voltage applied, voltage treatment of JIS-C-5102 article 4-4 is to be given and then measurement shall be made, at which time requirements specified in the table "High Temperature Loading" can be met.		
		在 105°C 的条件下不加电压放置 1000 个小时, 按照 JIS-C-5102 中 4-4 的标准进行处理, 特性满足高温负荷特性	

## ST-03 SERIES

### DIMENSIONS (Screw - Mount) <mm>

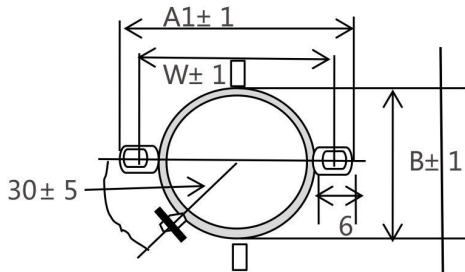
Sleeve (pb -free pvc:Black)



Φ 50&Φ 63: G=6  
 Φ 76&Φ 89: G=5  
 Φ 100: G=10

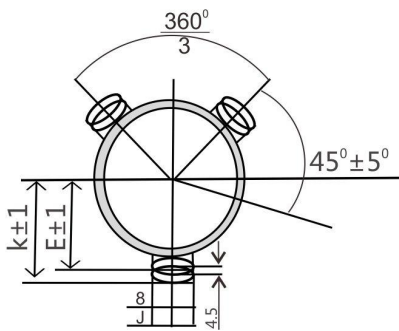
★ The screw and the mounting clamp are separately supplied and not attached to the product  
 螺丝和固定夹是分别提供的，不是放在产品上

#### • Mounting Clamp Code:B



Φ D	A	B	W	F
50	78	64	68	22.4
63	90	76	80	28.0
76	104.5	90	93.5	31.5

#### • Mounting Clamp Code:C



Φ D	E	K	F	J
50	32.5	37.0	22.4	14.0
63	38.1	43.5	28.0	14.0
76	44.5	50.0	31.5	14.0
89	50.8	56.5	31.5	16.0
100	56.5	63.4	41.5	16.0

### MULTIPLIER FOR RIPPLE CURRENT

#### 纹波电流修正系数

#### (1)Frequency coefficient 频率系数

Cap(μF)	Freq.(Hz)	60(50)	120	300	1K	10K
1000-2200		0.55	1.00	1.20	1.30	1.50
3300-27000		0.65	1.00	1.15	1.20	1.30

#### (2)Temperature coefficient 温度系数

Ambient Temperature(°C)	40	60	70	85	105
Coefficient	1.8	2	2.2	2.4	1

## ST-03 SERIES

### STANDARD SIZE 标准品一览表

WV (VDC)	Cap(μF) /120Hz	Case size	Ripple (Arms 105°C 120Hz)	WV (VDC)	Cap(μF) /120Hz	Case size	Ripple (Arms 105°C 120Hz)
额定电压	容量	尺寸DxL	纹波电流	额定电压	容量	尺寸DxL	纹波电流
160	3900	50*80	3.80	350	1200	50*80	2.40
	4700	50*100	4.60		1500	50*100	3.00
	5600	50*100	5.10		1800	50*120	3.60
	6800	50*120	6.10		2200	50*120	4.00
	8200	63*100	7.00		2700	63*100	4.60
	10000	63*120	8.40		3900	76*120	6.70
	12,000	76*100	9.40		5600	76*130	8.30
	15,000	76*120	11.40		6800	76*140	9.50
	18,000	76*140	13.40		8200	89*140	11.40
	22,000	89*140	14.50		1000	50*80	2.20
27,000	89*140	16.00	1200	50*100	2.70		
200	3300	50*80	4.10	400	1500	50*120	3.30
	3900	50*100	4.90		1800	63*90	3.80
	4700	63*100	5.30		2200	50*100	4.20
	5600	63*100	5.80		2200	63*90	4.20
	6800	63*120	6.90		2200	63*100	4.20
	8200	63*120	7.60		3300	65*110	5.50
	10000	76*120	9.30		3300	63*120	5.50
	12,000	76*120	10.20		4700	77*100	7.60
	15,000	76*140	12.20		4700	76*130	7.60
	18,000	89*140	13.10		4700	77*130	7.60
250	2200	50*80	2.90	450	5600	89*140	9.40
	2700	50*100	3.50		6800	77*155	10.40
	3300	50*120	4.20		6800	89*140	10.40
	3900	50*120	4.60		1000	50*70	2.80
	4700	63*90	5.7		1200	50*70	3.10
	4700	63*120	5.70		1500	50*96	4.50
	5600	63*120	6.30		1800	50*105	4.90
	6800	76*120	7.70		2200	50*115	5.80
	8200	76*120	8.40		2700	50*130	6.90
	10,000	76*140	10.00		3300	63*115	7.80
12000	76*100	10.0	3900	63*130	8.20		
12,000	89*140	11.90	4700	63*155	9.60		
300	1500	50*80	2.70	4700	78*131	11.20	
	1800	50*100	3.30	5600	63*190	12.30	
	2200	50*120	4.00	5600	76*130	13.50	
	2700	50*120	4.40	6800	77*143	14.10	
	3300	63*100	5.10	8200	77*170	15.20	
	3900	63*120	6.00				
	4700	76*100	6.80				
	5600	76*120	8.00				
	6800	76*130	9.20				
	8,200	89*140	11.40				
10,000	89*140	12.60					